



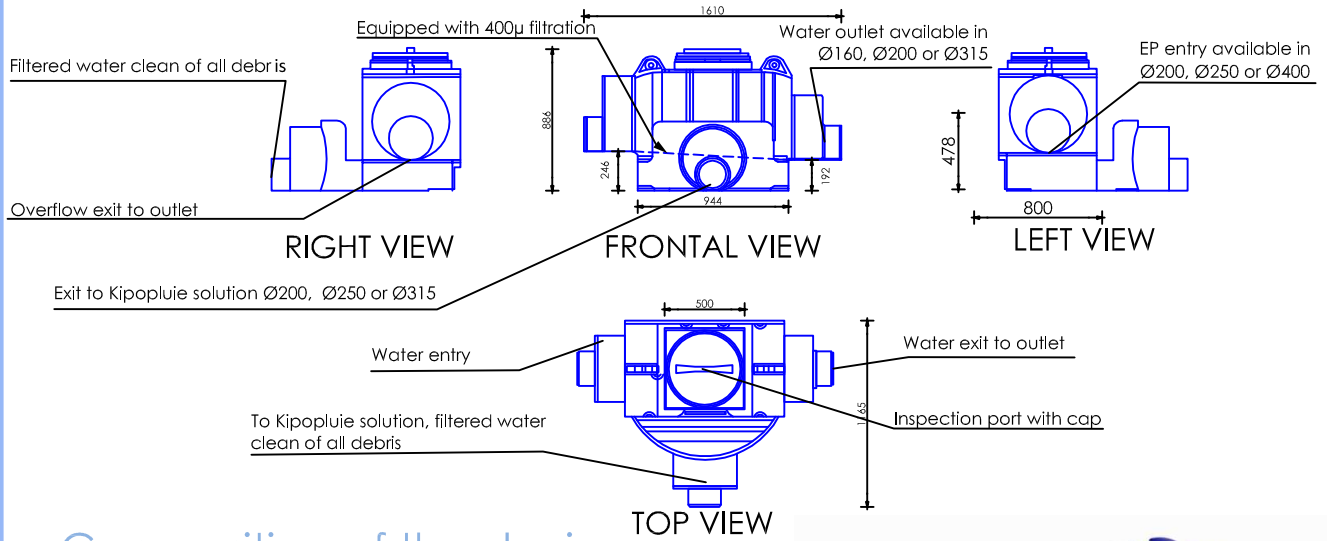
Kipo3000

Rainwater filtration

Buried filter, gravity filled, landscaped solution

Product : In accordance with the decree of August 21, 2008 and to NF P 16-005 norm.

For 3000 m² of roofing, proportioned to absorb and treat exceptionally heavy rainfall, prefabricated solution, made of eco-friendly recycled and recyclable green polyethylene, screw top, 8mm thickness to resist dynamic ground pressure, interior reinforcements.



Composition of the device :

- Rainwater entry Ø200, 250 ou 400,
- Watertight by a triple lip gasket (Forsheda type)
- Filtration through a stainless steel laminar grid 400 µm, mat AISI304,
- Buffer tank in case of overload,
- Interlocking outlet Ø 160, 200, 315 or 400 on a CR8 PVC tube ,
- Possibility to adapt a raiser block in 50 HDPE or concrete,
- Lifting rings
- Inscription notice French, English or Spanish,



Techniques Characteristics:

Dimensions :

Roofing Surface :	3000 m ²	Résistance :	To dynamic ground pressure
Length :	161 cm	Utilization :	For rainwater
Width :	116,5 cm	Environnement :	Roadways, urban green spaces, ...
Altimetric Loss :	24,6 cm	Corrosion :	Resistant to humidity
Height :	88,6 cm	Weight :	37 Kg
EP Filter entry :	Ø 200, 250, 400,	Guarantee :	10 years
EP Filter exit toward tank :	Ø 160, 200, 315		
EP Filter exit toward outlet :	Ø 160, 200, 315, 400		

Optionnal Accessories:

- Grids : 100, 200 and 500µm,
- Covers, raiser bloks,
- Storage tanks,
- Cold water manager,

Advantages :

- Self-cleaning product, low maintenance, no clogging,
- Hydraulic bypass system in case of overload,
- Low altimetric waste,
- Easy to implement,
- No slab anchoring required
- Adaptable to existing network,
- Delivered assembled and ready to connect,



Transport and Installation :

Transport : Delivered on site on pallet

Assembly : Manual

Recommended assembly : Between the roof rainwater collector and the storage tank,

KIPOPLUIE

Stand : +33(0)5 56 88 31 96 - Fax : +33(0)5 47 50 03 15

www.kipopluiie.com